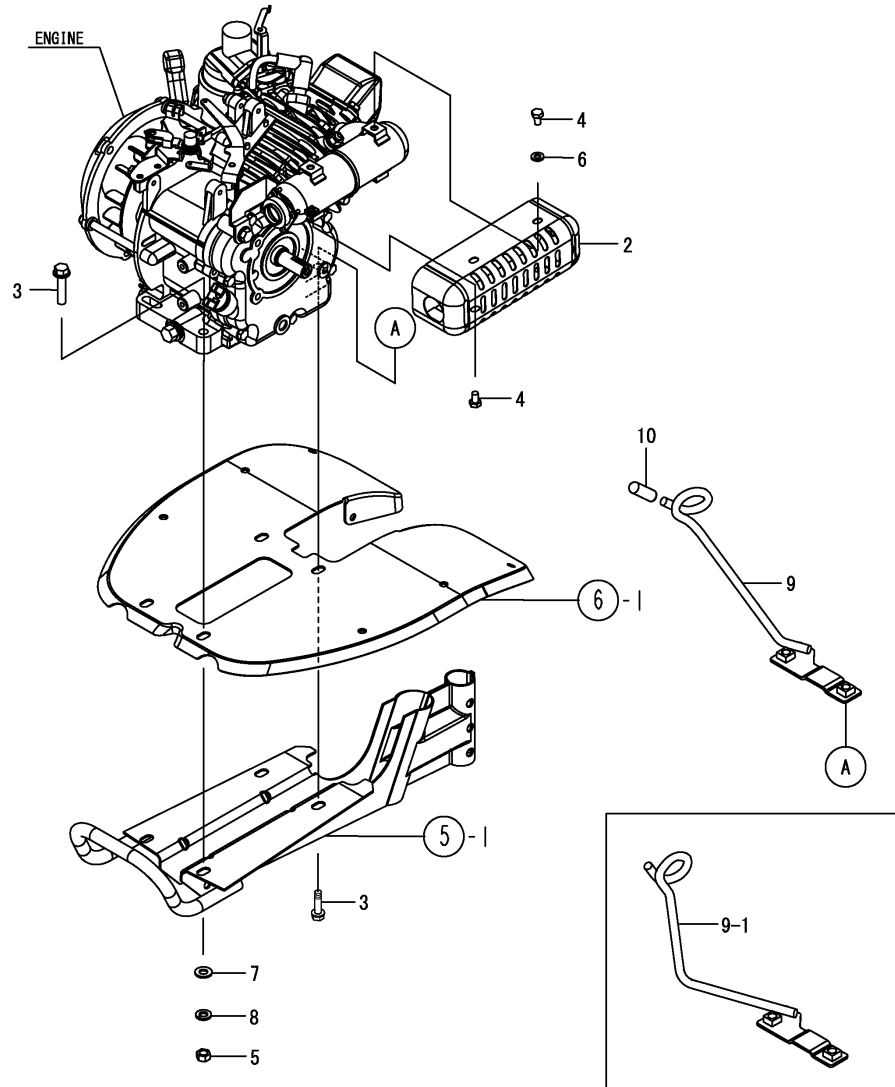


0CNP4-M89600EN

Contents

Fig. No.	Fig. Name	Fig. No.	Fig. Name
PULLEY & TENSION			
1.	ENGINE MOUNT		
2.	ENGINE PULLEY		
3.	MAIN PULLEY		
4.	TENSION CLUTCH		
TRANSMISSION & ROTOR			
5.	TRANSMISSION		
6.	FENDER		
7.	ROTOR		
HANDLE			
8.	HANDLE		
9.	CONTROL LEVER		
10.	COVER(BELT)		
11.	FUEL TANK		
ENGINE FRAME			
12.	BONNET		
13.	DRAG BAR		
ELECTRICAL PARTS, LABEL & ACCESSORY			
14.	ELECTRIC PARTS		
15.	LABEL		
16.	ACCESSORY		

Fig.1. ENGINE MOUNT



(A)=QT30
(B)=
(C)=

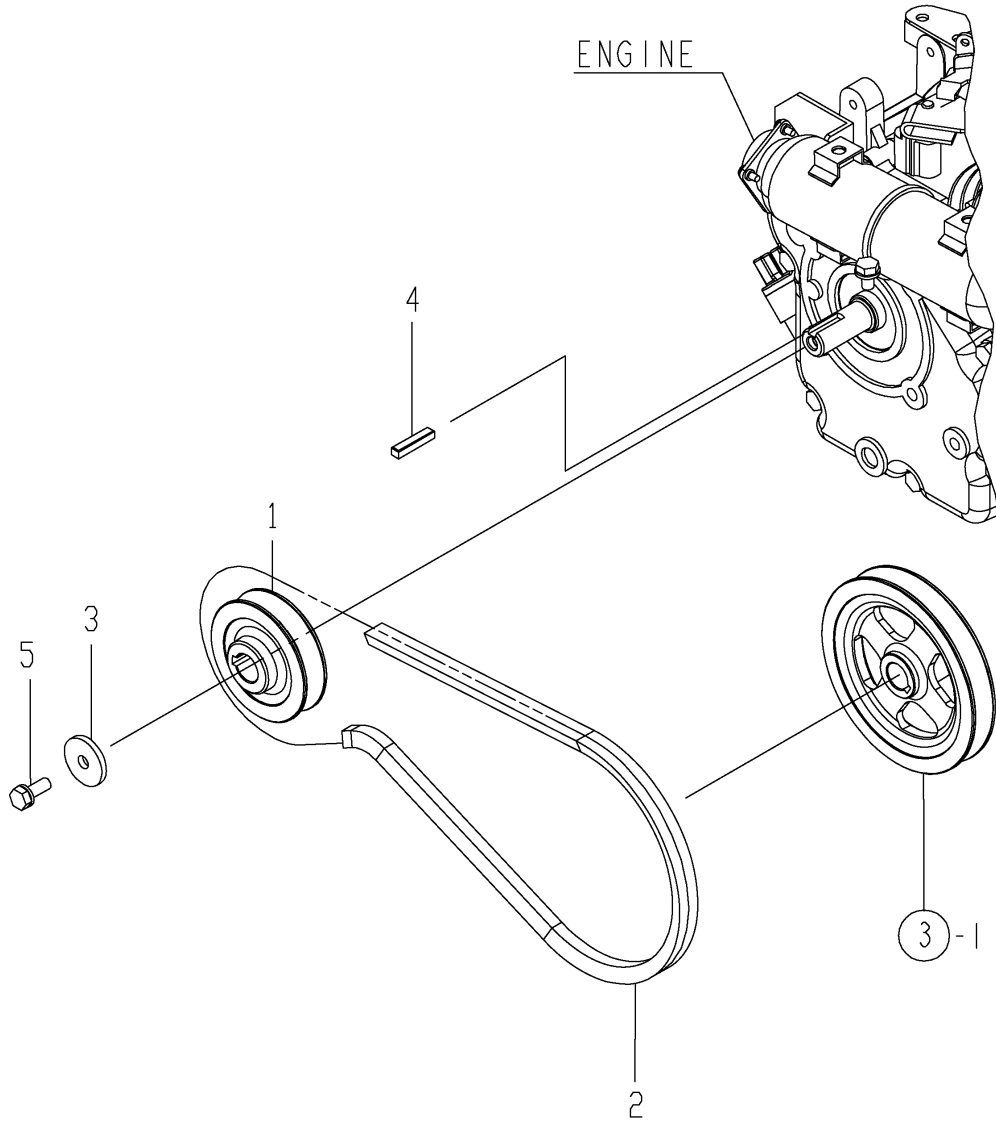
(D)=
(E)=
(F)=

No.	Lev.	Parts No.	Description	Q'ty						I	R
				(A)	(B)	(C)	(D)	(E)	(F)		
2	1	1A2700-11200	MUFFLER COVER B CMP	1							
2-1	1	1A2700-11201	MUFFLER COVER B CMP	1							N
(A=FXXXXX)											
3	1	26106-080352	BOLT, M8X 35 PLATED	4							
4	1	26116-060102	BOLT, M6X 10 PLATED	3							
4-1	1	26116-060082	BOLT, M6X 8 PLATED	3							N
(A=FZZZZZ)											
5	1	26717-080002	NUT, M8	4							
5-1	1	26717-080002	NUT, M8	2							K
(A=FZZZZZ)											
6	1	22137-060000	WASHER, 6	2							
7	1	22137-080000	WASHER, 8	4							
7-1	1	22137-080000	WASHER, 8	2							K
(A=FZZZZZ)											
8	1	22217-080000	WASHER, SPRING 8	4							
8-1	1	22217-080000	WASHER, SPRING 8	2							K
(A=FZZZZZ)											
9	1	1A2700-11300	HOOK,RECOIL CMP	1							W
(A=FZZZZZ)											
9-1	1	1A2700-11400	HOOK,RECOIL CMP	1							S
(A=F700101)											
10	1	1W4981-90320	CAP,RUBBER	1							W
(A=FZZZZZ)											

Fig.2. ENGINE PULLEY

(A)=QT30
(B)=
(C)=

(D)=
(E)=
(F)=

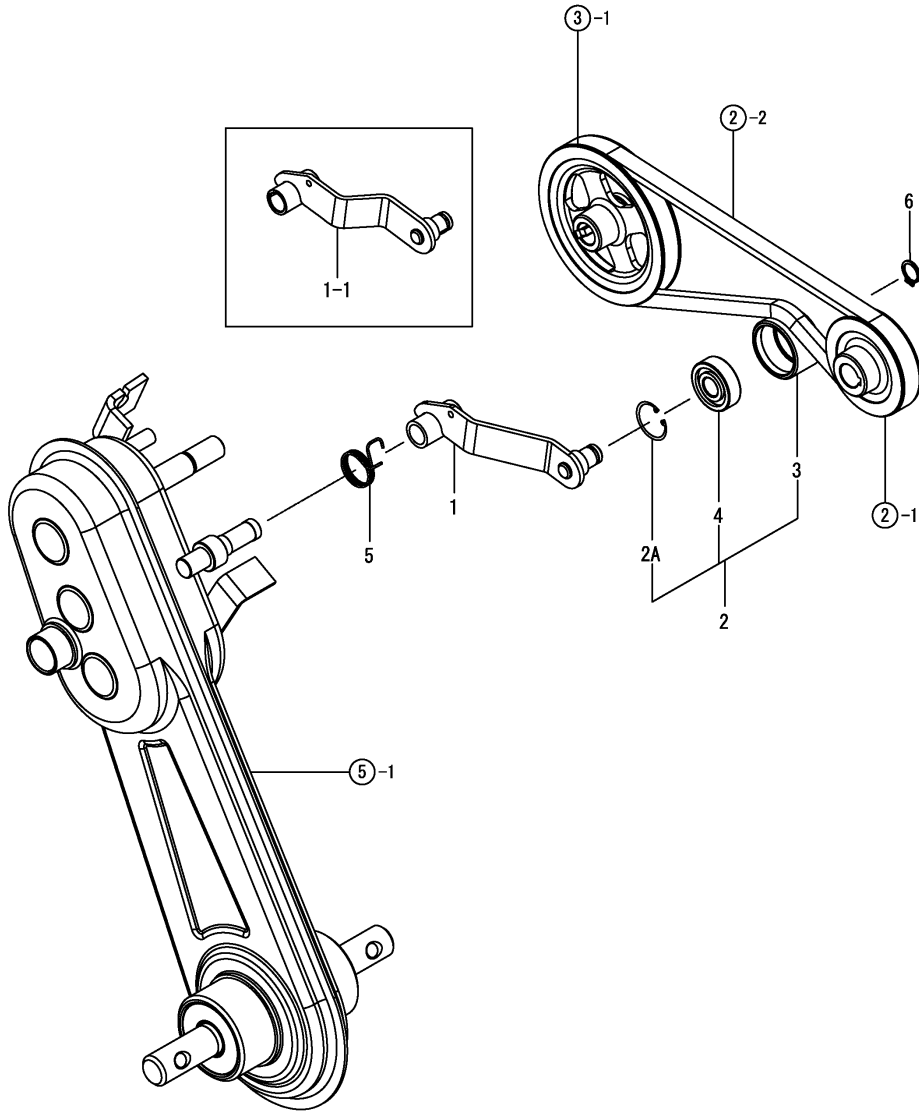


No.	Lev.	Parts No.	Description	Qty						I	R
				(A)	(B)	(C)	(D)	(E)	(F)		
1	1	1A2700-12000	ENGINE PULLEY 65	1							
2	1	1A2700-12110	V BELT LA28	1							
3	1	1A2700-13750	WASHAR 7X26XT3.2	1							
4	1	22550-050250	KEY 5X25	1							
5	1	26013-060162	BOLT, M6X 16	1							

Fig.4. TENSION CLUTCH

(A)=QT30
(B)=
(C)=

(D)=
(E)=
(F)=

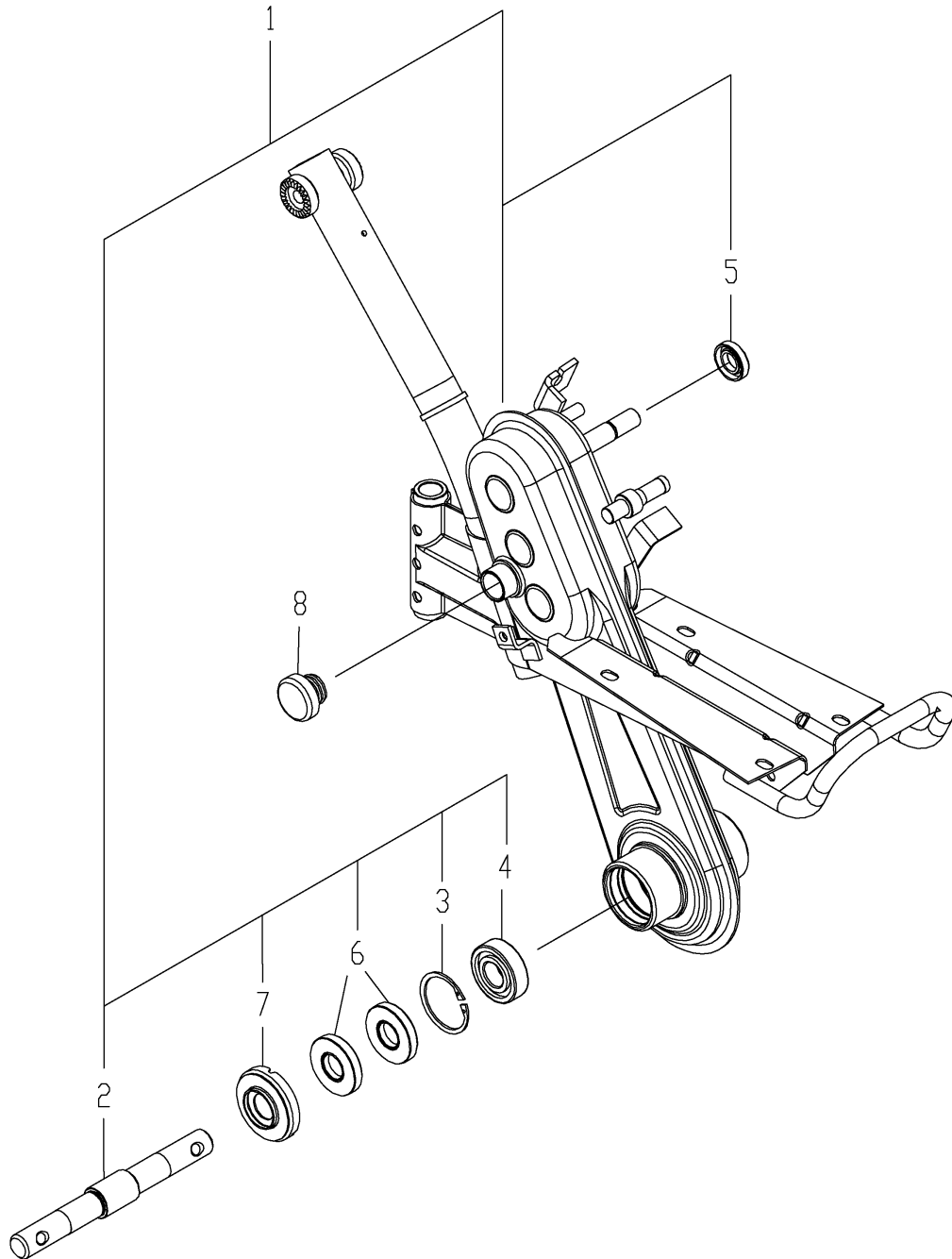


No.	Lev.	Parts No.	Description	Q'ty						I	R
				(A)	(B)	(C)	(D)	(E)	(F)		
1	1	1A2700-13500	TENSION ARM CMP	1							
1-1	1	1A2700-13550	TENSION ARM CMP	1							S
(A=F700101)											
2	1	1A2700-13600	TENSION PULLEY CMP	1							
2A	2	22252-000320	RING, 32	1							W
(A=FXXXXXX)											
3	2	1A2700-13610	TENSION PULLEY	1							
4	2	24104-062010	BEARING, 6201UUC3	1							
5	1	1A2700-13701	SPRING,TENSIONRETURN	1							
6	1	22242-000120	RING, 12	1							

Fig.5. TRANSMISSION

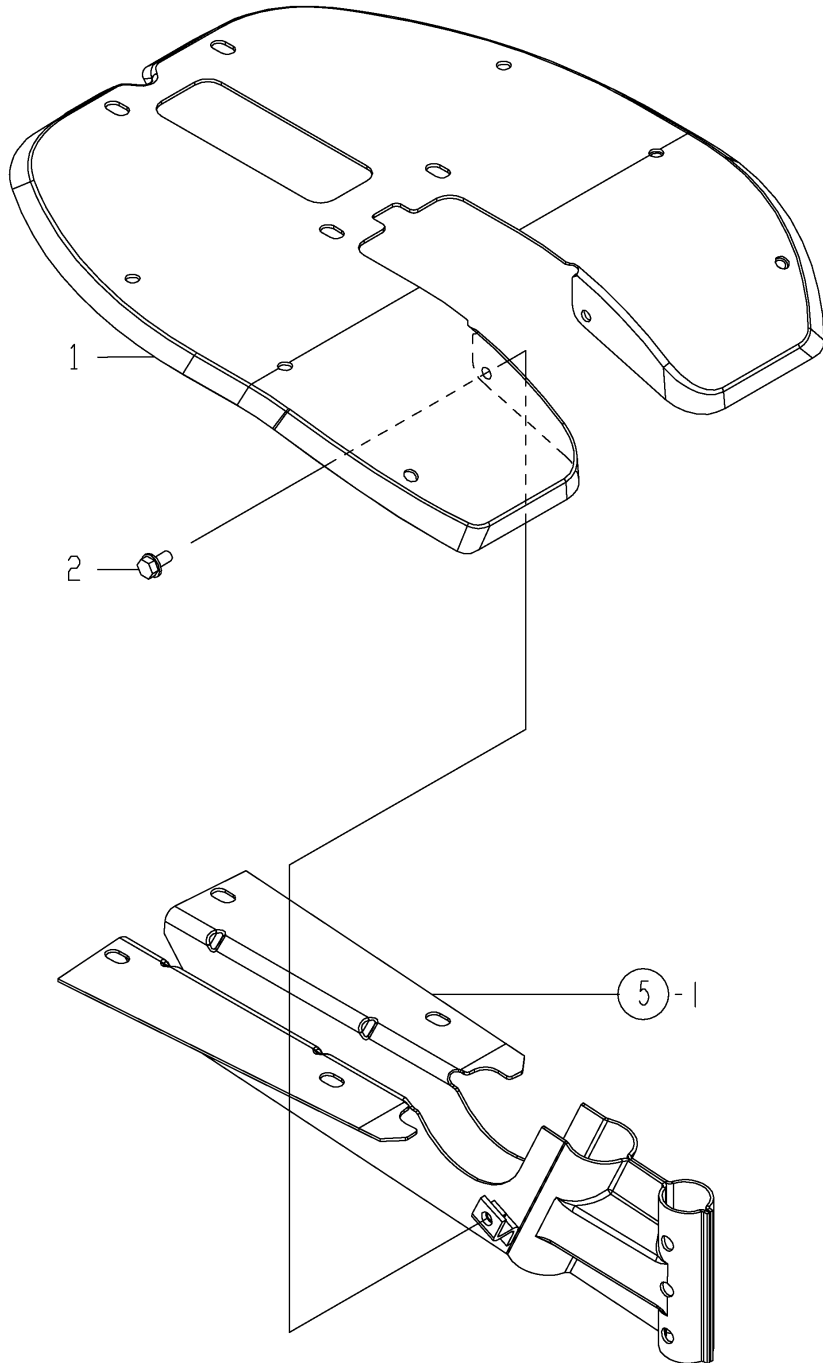
(A)=QT30
(B)=
(C)=

(D)=
(E)=
(F)=



No.	Lev.	Parts No.	Description	Q'ty						I	R
				(A)	(B)	(C)	(D)	(E)	(F)		
1	1	1A2700-21000	TRANSMISSION CMP	1							
2	2	1A2700-24050	WHEEL SHAFT	1							
3	2	22252-000470	RING, 47	2							
4	2	24101-062044	BEARING, BALL 6204	2							
5	2	24421-153007	SEAL TC15 30 07, OIL	1							
6	2	24421-204708	SEAL, OIL TC204708	4							
7	1	1A2700-21700	BOSS CAP CMP	2							
8	1	1A1270-28160	PLUG, OILING 35	1							

Fig.6. FENDER

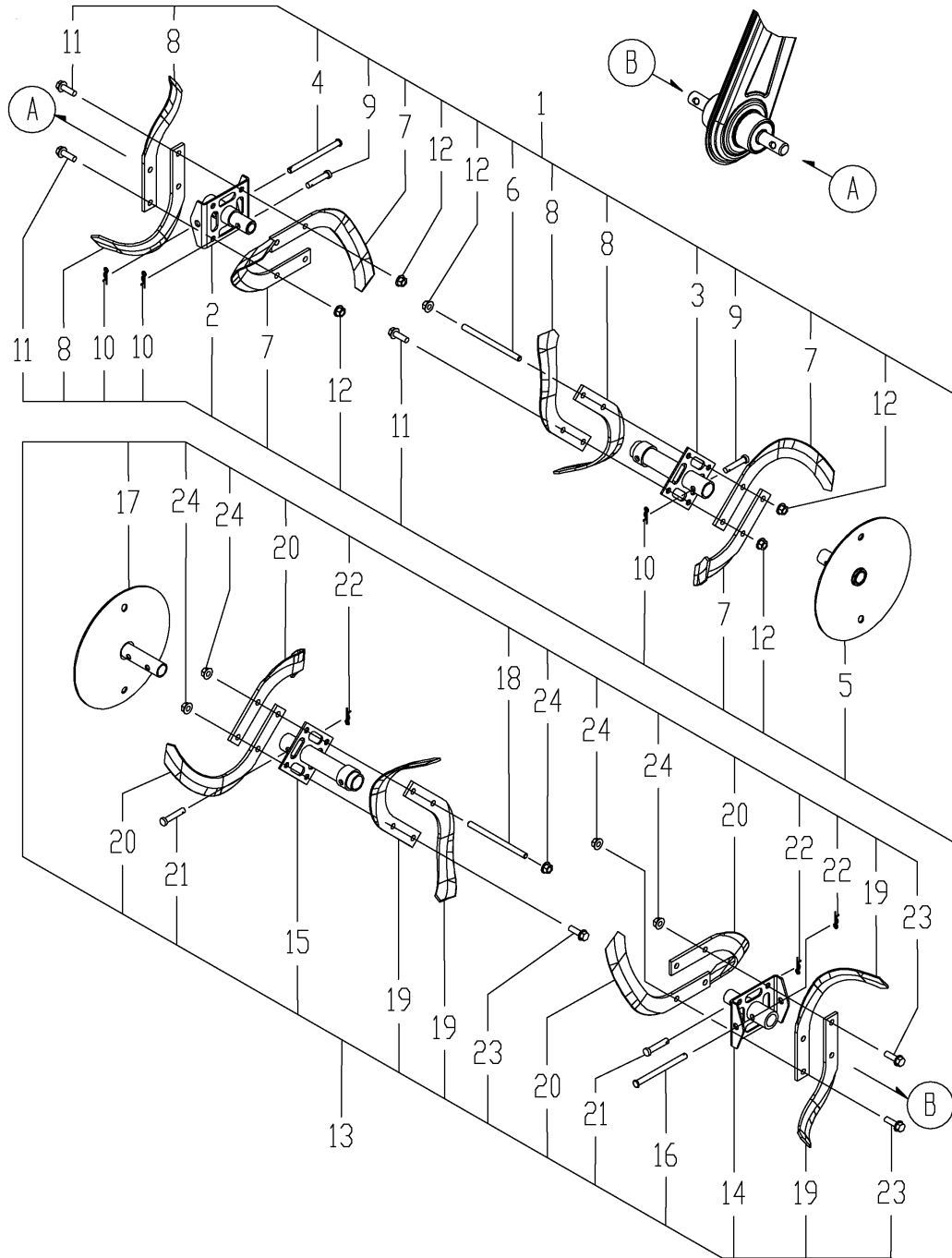


(A)=QT30
(B)=
(C)=

(D)=
(E)=
(F)=

No.	Lev.	Parts No.	Description	Q'ty						I	R
				(A)	(B)	(C)	(D)	(E)	(F)		
1	1	1A2700-32000	FENDER	1							
2	1	26106-060122	BOLT, M6X 12 PLATED	2							

Fig.7. ROTOR



(A)=QT30

(B)=

(C)=

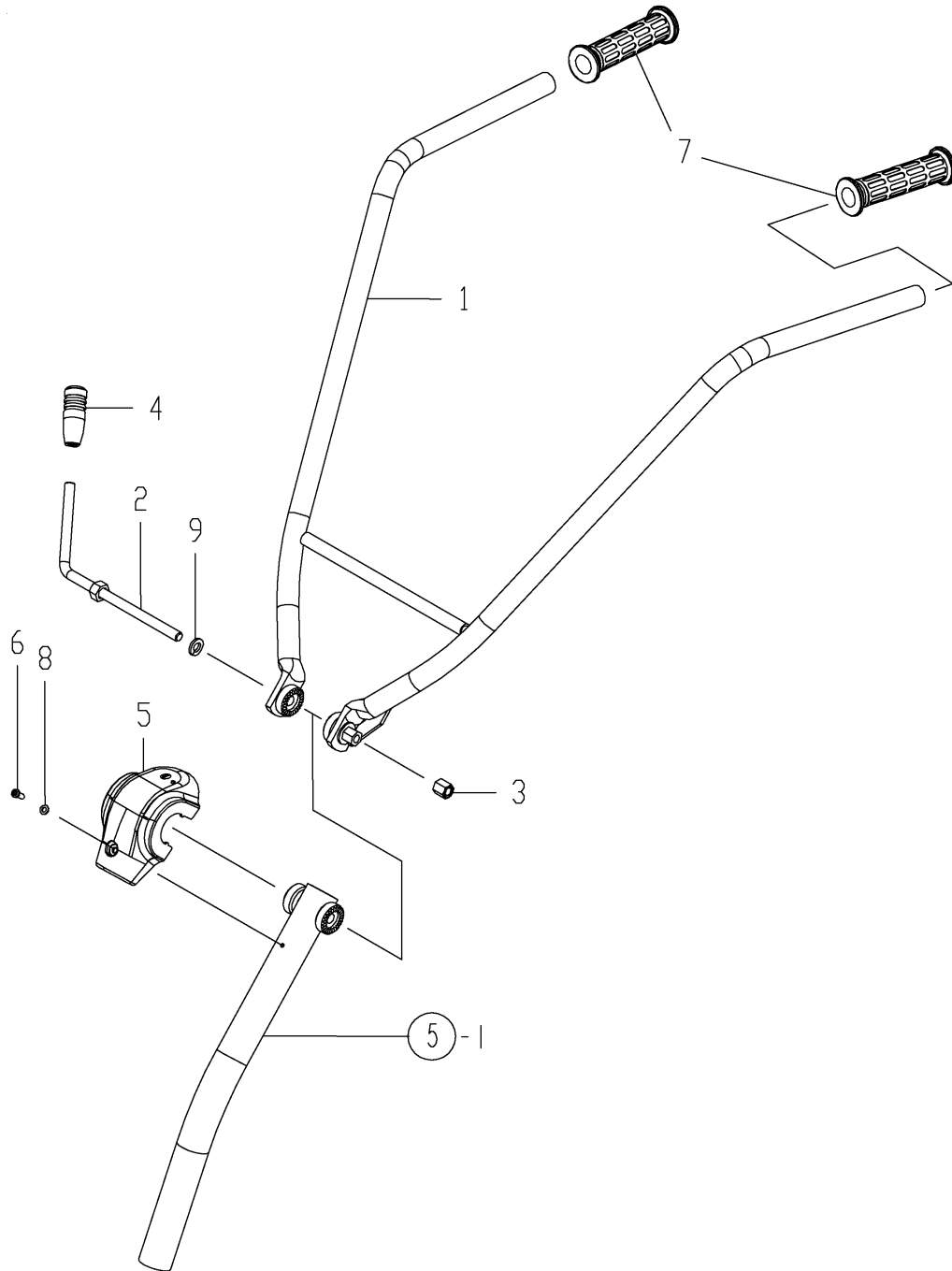
(D)=

(E)=

(F)=

No.	Lev.	Parts No.	Description	Q'ty						I	R
				(A)	(B)	(C)	(D)	(E)	(F)		
1	1	1A2700-34000	ROTOR L,ASSY	1							
2	2	1A2700-35000	SHAFT ROTOR,CMP	1							
3	2	1A2700-35100	SHAFT CMP,EXTENSION	1							
4	2	1A2190-35200	PIN 8X100,FLAT HEAD	1							
5	2	1A2700-35200	DISC CMP	1							
6	2	1A2700-35300	ROD, ROTOR	2							
7	2	1A2700-35500	SPADING TINE L	4							
8	2	1A2700-35510	SPADING TINE R	4							
9	2	1A1540-46010	PIN 8X35,FLAT HEAD	2							
10	2	22372-080000	PIN, SNAP 8	3							
11	2	26106-080252	BOLT, M8X 25 PLATED	6							
12	2	26367-080002	NUT, M8	10							
13	1	1A2700-34100	ROTOR R,ASSY	1							
14	2	1A2700-35000	SHAFT ROTOR,CMP	1							
15	2	1A2700-35100	SHAFT CMP,EXTENSION	1							
16	2	1A2190-35200	PIN 8X100,FLAT HEAD	1							
17	2	1A2700-35200	DISC CMP	1							
18	2	1A2700-35300	ROD, ROTOR	2							
19	2	1A2700-35500	SPADING TINE L	4							
20	2	1A2700-35510	SPADING TINE R	4							
21	2	1A1540-46010	PIN 8X35,FLAT HEAD	2							
22	2	22372-080000	PIN, SNAP 8	3							
23	2	26106-080252	BOLT, M8X 25 PLATED	6							
24	2	26367-080002	NUT, M8	10							

Fig.8. HANDLE

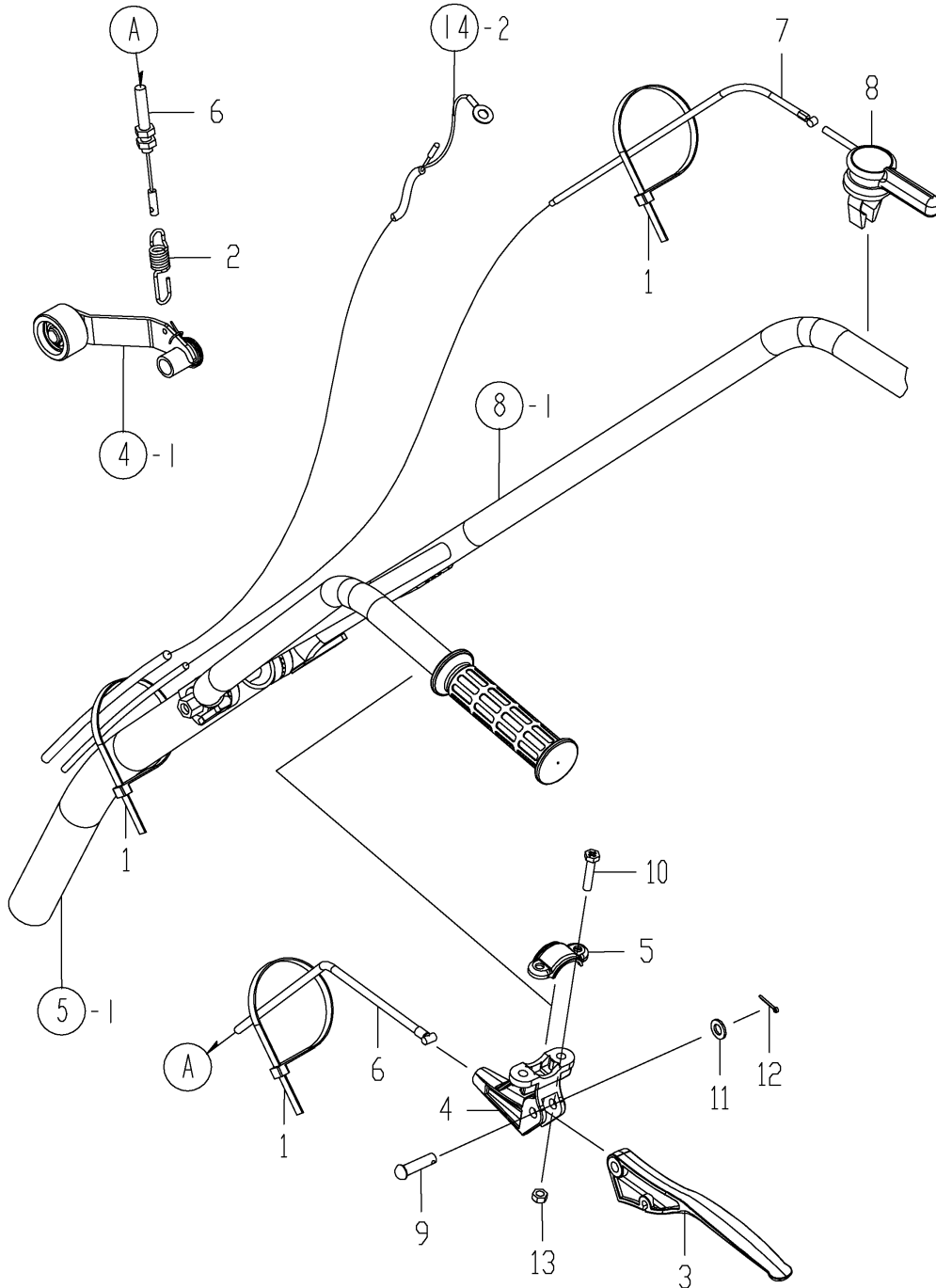


(A)=QT30
(B)=
(C)=

(D)=
(E)=
(F)=

No.	Lev.	Parts No.	Description	Q'ty						I	R
				(A)	(B)	(C)	(D)	(E)	(F)		
1	1	1A2700-51600	HANDLE CMP	1							
2	1	1A2700-51700	LEVER BOLT CMP	1							
3	1	1A2490-51850	NUT,M10	1							
4	1	1A2700-51850	GRIP CHANGE LEVER	1							
5	1	1A2700-52000	HANDLE COVER	1							
6	1	1A2311-55100	SCREW M 5X 12	1							
7	1	1A2700-55600	GRIP,HANDLE	2							
7-1	1	1A2700-55601	GRIP,HANDLE	1							N
(A=FXXXXXX)											
8	1	1A1750-90150	WASHER 5,PLAIN	1							
9	1	22217-100000	WASHER, SPRING 10	1							

Fig.9. CONTROL LEVER



(A)=QT30
(B)=
(C)=

(D)=
(E)=
(F)=

No.	Lev.	Parts No.	Description	Q'ty						I	R
				(A)	(B)	(C)	(D)	(E)	(F)		
1	1	1E6102-84970	BAND 140,WIRE LOCK	3							
2	1	1A2700-55100	SPRING, MAIN CLUTCH	1							
3	1	1A2700-55200	LEVER, MAIN CLUTCH	1							
3-1	1	1A2700-55201 (A=FXXXXXX)	LEVER, MAIN CLUTCH	1							R
4	1	1A2700-55210	STAY, MAIN CLUTCH	1							
4-1	1	1A2700-55211 (A=FXXXXXX)	STAY, MAIN CLUTCH	1							N
5	1	1A2700-55220	LEVER CLAMP	1							
6	1	1A2700-55500	WIRE, MAIN CLUTCH	1							
7	1	1A2700-55550	WIRE, THROTTLE	1							
8	1	1A2191-55581	LEVER, ACCELERATOR	1							
9	1	1A2700-55650	PIN 8X27	1							
10	1	1A2700-55700	BOLT, 6X30	2							
11	1	22117-080000	WASHER, 8	1							
12	1	22417-250200	PIN, COTTER 2.5X20	1							
13	1	26717-060002	NUT, M6	2							

Fig.10. COVER(BELT)

(A)=QT30
(B)=
(C)=

(D)=
(E)=
(F)=

No.	Lev.	Parts No.	Description	Qty						I	R
				(A)	(B)	(C)	(D)	(E)	(F)		
1	1	1A2700-62000	BELT COVER	1							
2	1	1A2700-62100	BACK COVER CMP	1							
2-1	1	1A2700-62101	BACK COVER CMP	1							
(A=F700101)											
3	1	26013-060162	BOLT, M6X 16	1							
4	1	26013-080162	BOLT, M8X 16	3							
5	1	26106-060122	BOLT, M6X 12 PLATED	1							
6	1	22137-060000	WASHER, 6	1							
7	1	22137-080000	WASHER, 8	3							

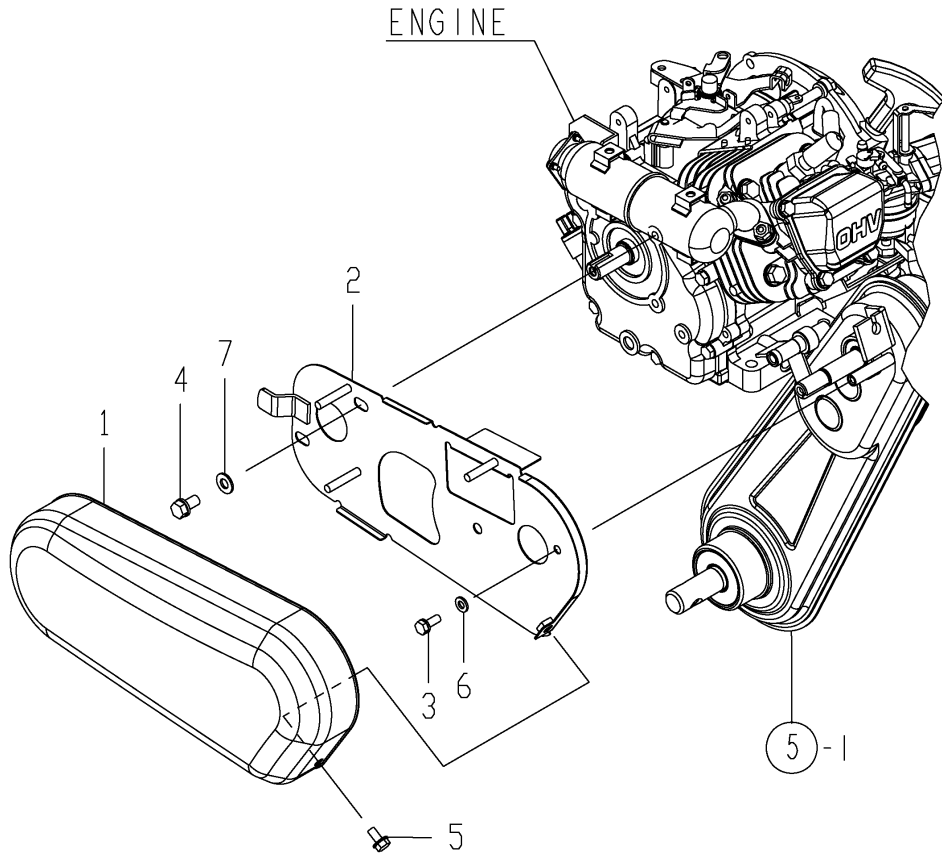


Fig.11. FUEL TANK

(A)=QT30

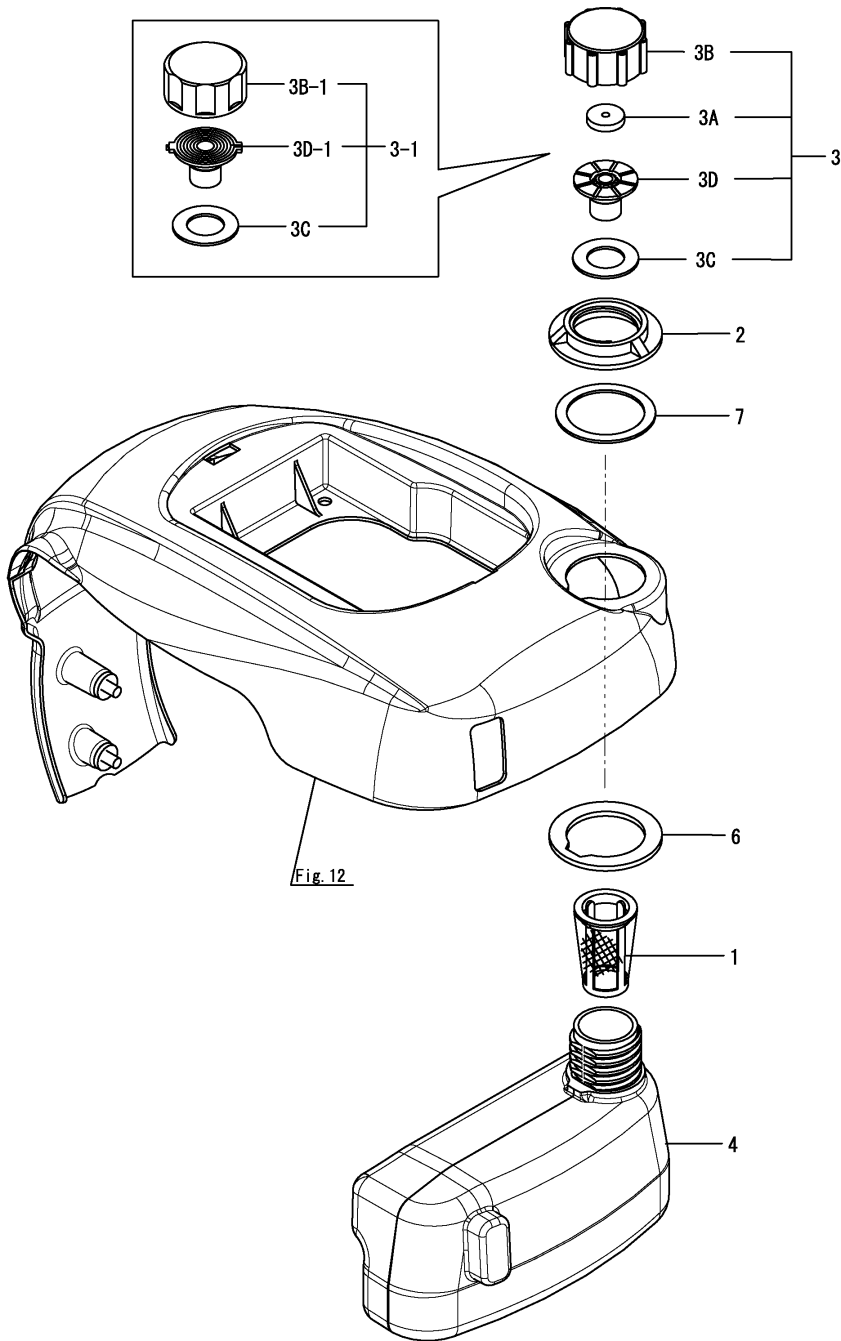
(B)=

(C)=

(D)=

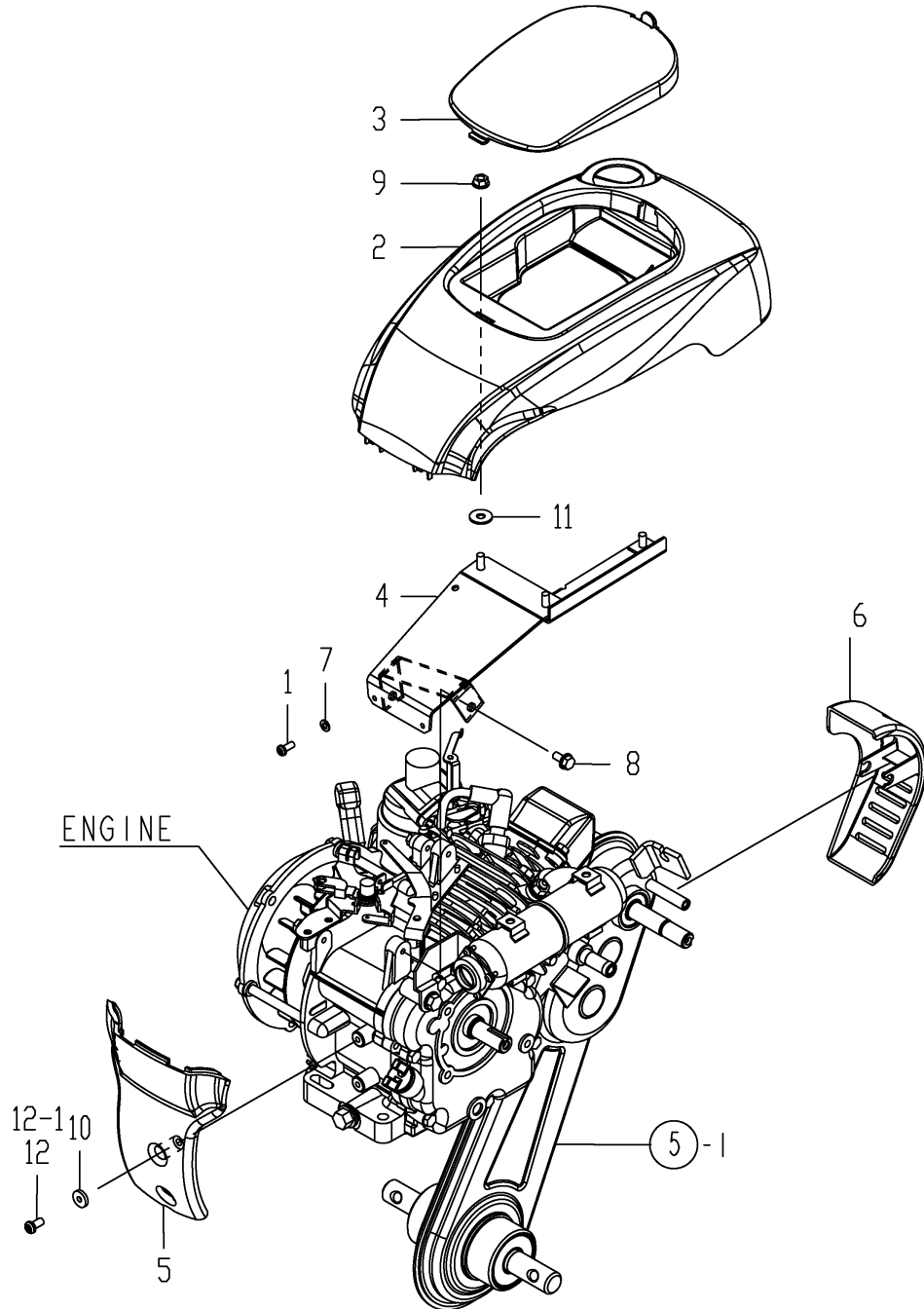
(E)=

(F)=



No.	Lev.	Parts No.	Description	Q'ty						I	R
				(A)	(B)	(C)	(D)	(E)	(F)		
1	1	1D2042-41200	STRAINER,FUEL	1							
2	1	1A1540-62110	RING,MOUNTING	1							
2-1	1	1A2700-63450	RING,MOUNTING	1							N
(A=F200773)											
3	1	1A2700-63300	CAP ASSY, FUEL TANK	1							
3-1	1	1A2700-63400	CAP ASSY,FUEL	1							R
(A=F200773)											
3A	2	1D2040-41130	ELEMENT, FUEL	1							Z
(A=F200773)											
3B	2	1A1540-62100	CAP,FUEL TANK	1							Z
(A=F200773)											
3B-1	2	1A2700-63410	CAP,FUEL	1							W
(A=F200773)											
3C	2	1A2700-63310	PACKING,TANK CAP	1							
3D	2	1A2700-63320	BREATHER	1							Z
(A=F200773)											
3D-1	2	1A2700-63420	BREATHER	1							W
(A=F200773)											
4	1	1A2700-63000	FUEL TANK	1							
6	1	1A2700-63200	CUSHION	1							
7	1	1A2700-63210	SPACER.RUBBER	1							Z
(A=F200773)											

Fig.12. BONNET



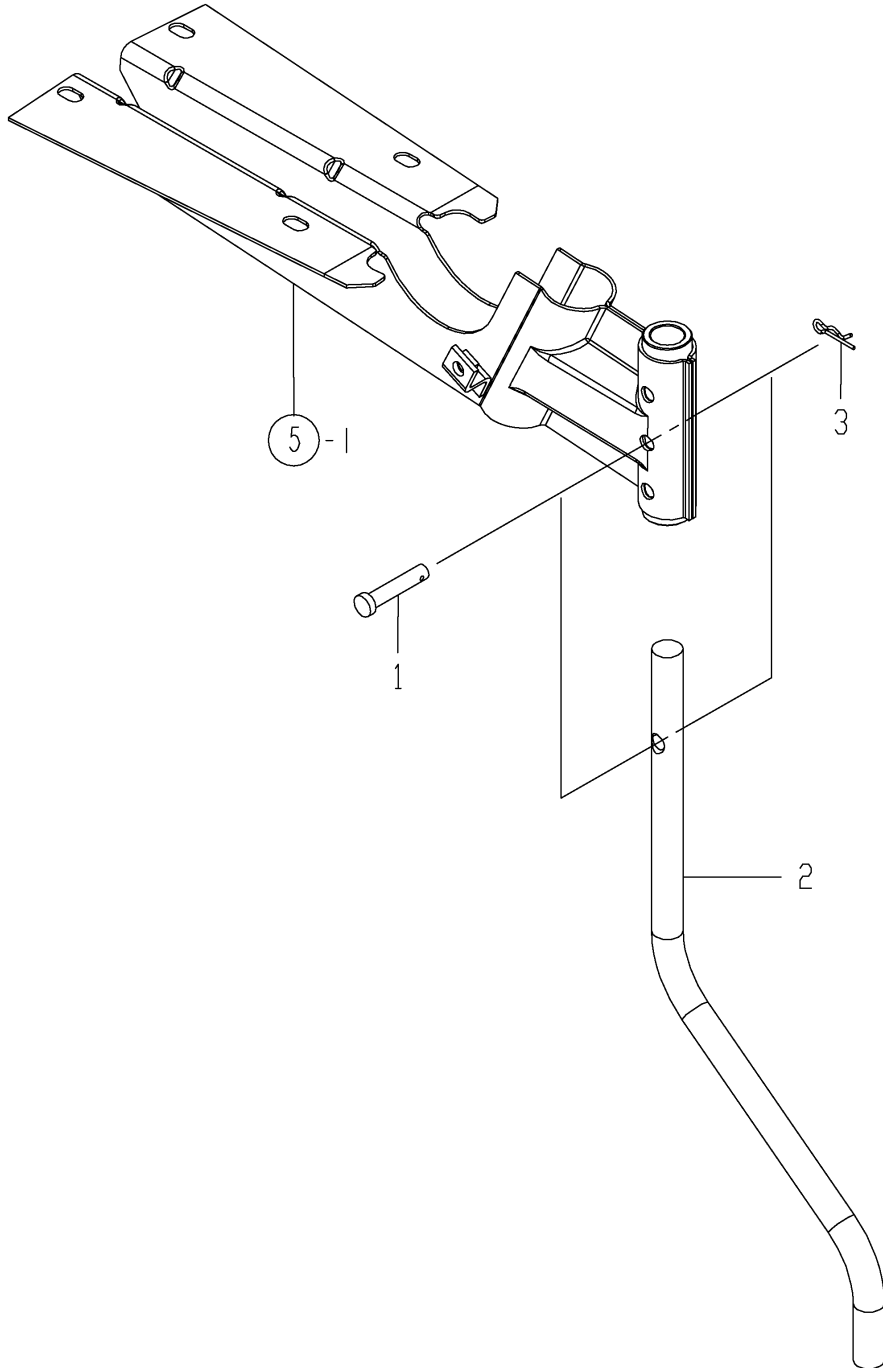
(A)=QT30
(B)=
(C)=

(D)=
(E)=
(F)=

No.	Lev.	Parts No.	Description	Q'ty						I	R
				(A)	(B)	(C)	(D)	(E)	(F)		
1	1	1A2311-55100	SCREW M 5X 12	2							
2	1	1A2700-64000	BONNET	1							
2-1	1	1A2700-64001	BONNET	1							N
(A=FXXXXX)											
3	1	1A2700-64010	BONNET COVER	1							
3-1	1	1A2700-64011	BONNET COVER	1							N
(A=FXXXXX)											
4	1	1A2700-64101	BONNET STAY CMP	1							
5	1	1A2700-64200	FRONT COVER	1							
5-1	1	1A2700-64201	FRONT COVER	1							N
(A=FXXXXX)											
6	1	1A2700-64300	REAR COVER	1							
6-1	1	1A2700-64301	REAR COVER	1							N
(A=FXXXXX)											
7	1	1A1750-90150	WASHER 5,PLAIN	2							
8	1	26106-060122	BOLT, M6X 12 PLATED	3							
9	1	26367-060002	NUT, M6	3							
10	1	1A2700-64210	SPACER, 15X5XT2.8	2							
11	1	1C6020-73090	WASHER, 7X19X1.6	3							
12	1	26557-060122	SCREW, M6X12	2							
12-1	1	26557-060162	SCREW M 6X 16	2							S

(A=F700101)

Fig.13. DRAG BAR



(A)=QT30
(B)=
(C)=

(D)=
(E)=
(F)=

No.	Lev.	Parts No.	Description	Q'ty						I	R
				(A)	(B)	(C)	(D)	(E)	(F)		
1	1	1A1540-46010	PIN 8X35,FLAT HEAD	1							
2	1	1A2700-70000	DRAG BAR	1							
3	1	22372-080000	PIN, SNAP 8	1							

Fig.15. LABEL

(A)=QT30

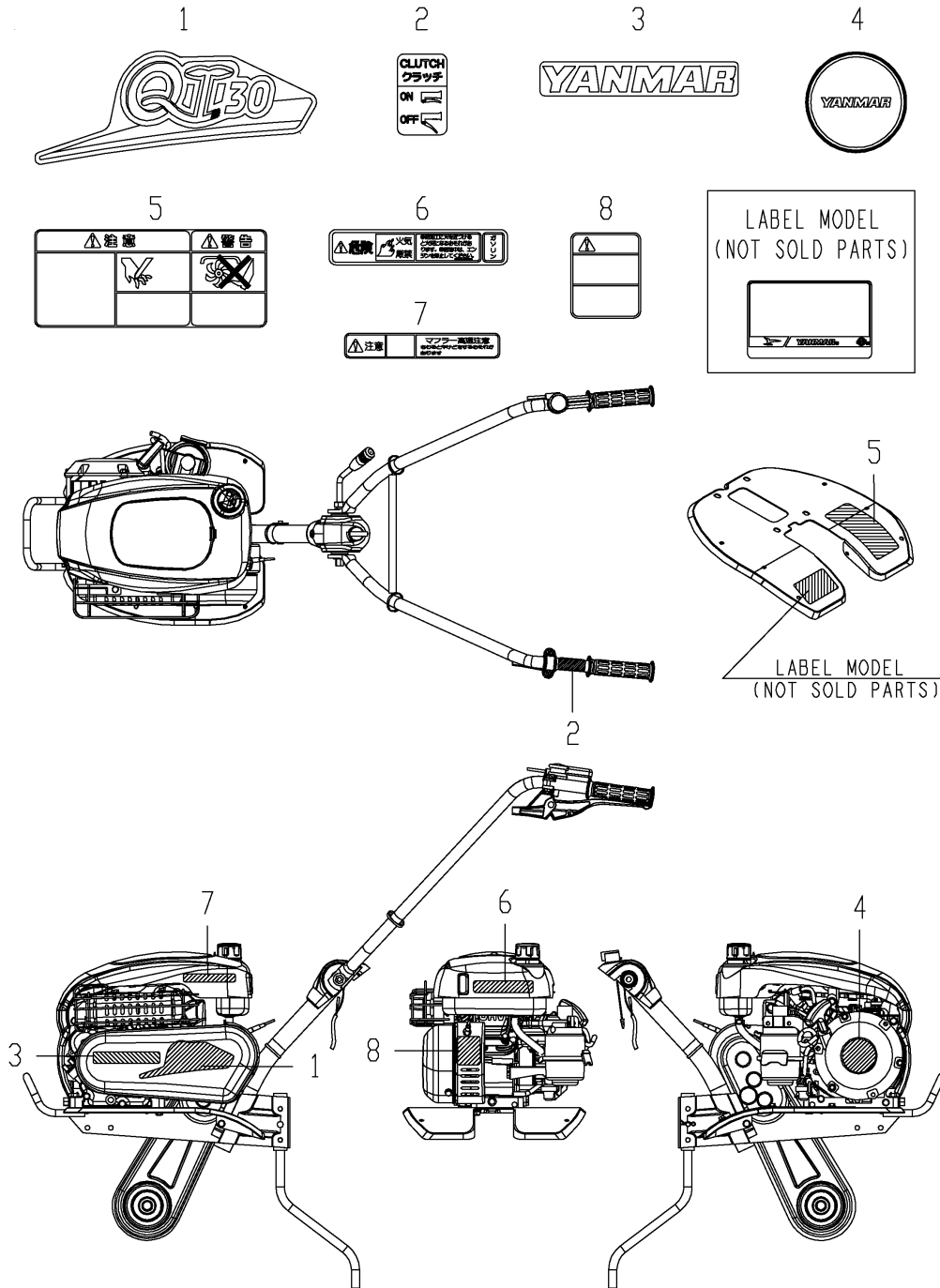
(B)=

(C)=

(D)=

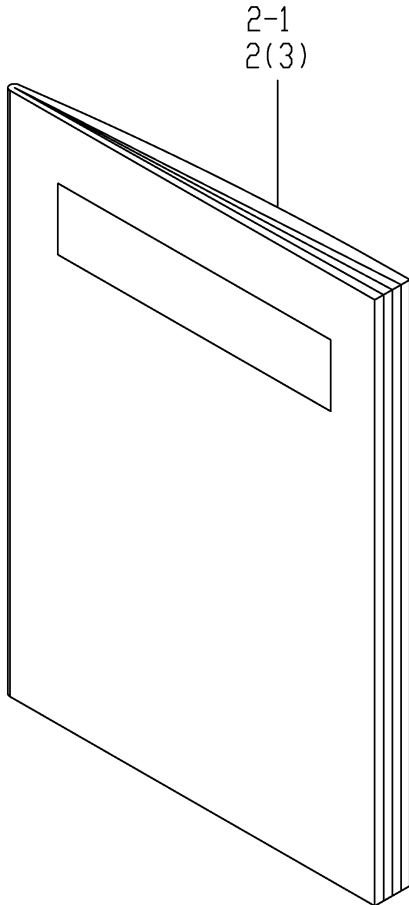
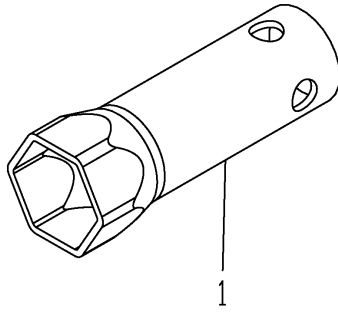
(E)=

(F)=



No.	Lev.	Parts No.	Description	Q'ty						I	R
				(A)	(B)	(C)	(D)	(E)	(F)		
1	1	1A2700-86010	LABEL(QT30)	1							
2	1	1A2700-86020	LABEL(MAIN CLUTCH)	1							
3	1	1A2700-86070	LABEL(YANMAR 124)	1							
4	1	1A2700-86080	LABEL(RECOIL)	1							
5	1	1A2480-86100	LABEL	1							
6	1	1E5120-86500	LABEL, GASOLINE	1							
7	1	1E5120-86720	LABEL, CAUTION	1							
8	1	1A2260-87100	WARNING, EXH. GAS	1							

Fig.16. ACCESSORY



(A)=QT30
(B)=
(C)=

(D)=
(E)=
(F)=

No.	Lev.	Parts No.	Description	Q'ty						I	R
				(A)	(B)	(C)	(D)	(E)	(F)		
1	1	1A2700-87000	PLUG WRENCH	1							
2	1	1A2700-88100	MANUAL	1							
2-1	1	0A211-J02300	OPERATION MANUAL	1							S
3	1	(A=F700101) 1A2480-88920	MANUAL,PL	1							

Parts No. Index

Parts No.	Fig. No.	Ref. No.
0A211-J02300	16	2 -1
1A1270-28160	5	8
1A1540-46010	7	9
		21
	13	1
1A1540-62100	11	3 B
1A1540-62110	11	2
1A1750-40800	14	1
1A1750-90150	8	8
	12	7
1A2190-35200	7	4
		16
1A2191-55581	9	8
1A2260-87100	15	8
1A2311-55100	8	6
	12	1
1A2480-86100	15	5
1A2480-88920	16	3
1A2490-51850	8	3
1A2700-11200	1	2
1A2700-11201	1	2 -1
1A2700-11300	1	9
1A2700-11400	1	9 -1
1A2700-12000	2	1
1A2700-12110	2	2
1A2700-13000	3	1
1A2700-13500	4	1
1A2700-13550	4	1 -1
1A2700-13600	4	2
1A2700-13610	4	3
1A2700-13701	4	5
1A2700-13750	2	3
	3	2
1A2700-21000	5	1
1A2700-21700	5	7
1A2700-24050	5	2
1A2700-32000	6	1
1A2700-34000	7	1
1A2700-34100	7	13
1A2700-35000	7	2
		14
1A2700-35100	7	3
		15
1A2700-35200	7	5
		17
1A2700-35300	7	6
		18
1A2700-35500	7	7
		19
1A2700-35510	7	8

Parts No.	Fig. No.	Ref. No.
1A2700-35510	7	20
1A2700-51600	8	1
1A2700-51700	8	2
1A2700-51850	8	4
1A2700-52000	8	5
1A2700-55100	9	2
1A2700-55200	9	3
1A2700-55201	9	3 -1
1A2700-55210	9	4
1A2700-55211	9	4 -1
1A2700-55220	9	5
1A2700-55500	9	6
1A2700-55550	9	7
1A2700-55600	8	7
1A2700-55601	8	7 -1
1A2700-55650	9	9
1A2700-55700	9	10
1A2700-62000	10	1
1A2700-62100	10	2
1A2700-62101	10	2 -1
1A2700-63000	11	4
1A2700-63200	11	6
1A2700-63210	11	7
1A2700-63300	11	3
1A2700-63310	11	3 C
1A2700-63320	11	3 D
1A2700-63400	11	3 -1
1A2700-63410	11	3 B-1
1A2700-63420	11	3 D-1
1A2700-63450	11	2 -1
1A2700-64000	12	2
1A2700-64001	12	2 -1
1A2700-64010	12	3
1A2700-64011	12	3 -1
1A2700-64101	12	4
1A2700-64200	12	5
1A2700-64201	12	5 -1
1A2700-64210	12	10
1A2700-64300	12	6
1A2700-64301	12	6 -1
1A2700-70000	13	2
1A2700-83001	14	2
1A2700-83050	14	3
1A2700-86010	15	1
1A2700-86020	15	2
1A2700-86070	15	3
1A2700-86080	15	4
1A2700-87000	16	1
1A2700-88100	16	2
1C6020-73090	12	11

Parts No.	Fig. No.	Ref. No.
1D2040-41130	11	3 A
1D2042-41200	11	1
1E5120-86500	15	6
1E5120-86720	15	7
1E6102-84970	9	1
1W4981-90320	1	10
22117-080000	9	11
22137-060000	1	6
	10	6
22137-080000	1	7
		7 -1
	10	7
22217-080000	1	8
		8 -1
22217-100000	8	9
22242-000120	4	6
22252-000320	4	2 A
22252-000470	5	3
22372-080000	7	10
		22
	13	3
22417-250200	9	12
22550-050250	2	4
	3	3
24101-062044	5	4
24104-062010	4	4
24421-153007	5	5
24421-204708	5	6
26013-060162	2	5
	3	4
	10	3
26013-080162	10	4
26106-060122	6	2
	10	5
	12	8
26106-080252	7	11
		23
26106-080352	1	3
26116-060082	1	4 -1
26116-060102	1	4
26367-060002	12	9
26367-080002	7	12
		24
26557-060122	12	12
26557-060162	12	12 -1
26717-060002	9	13
26717-080002	1	5
		5 -1
	14	4

Parts No.	Fig. No.	Ref. No.
-----------	----------	----------